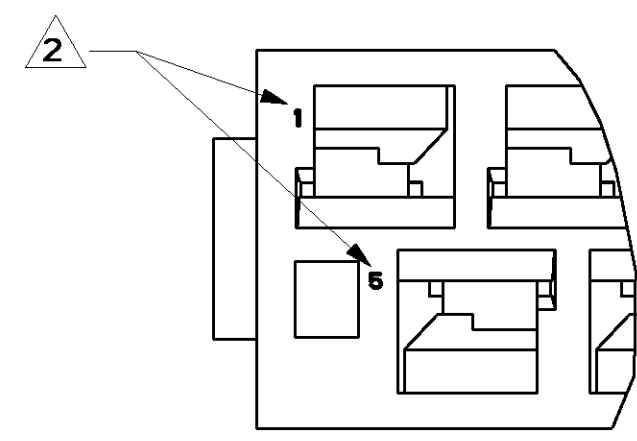
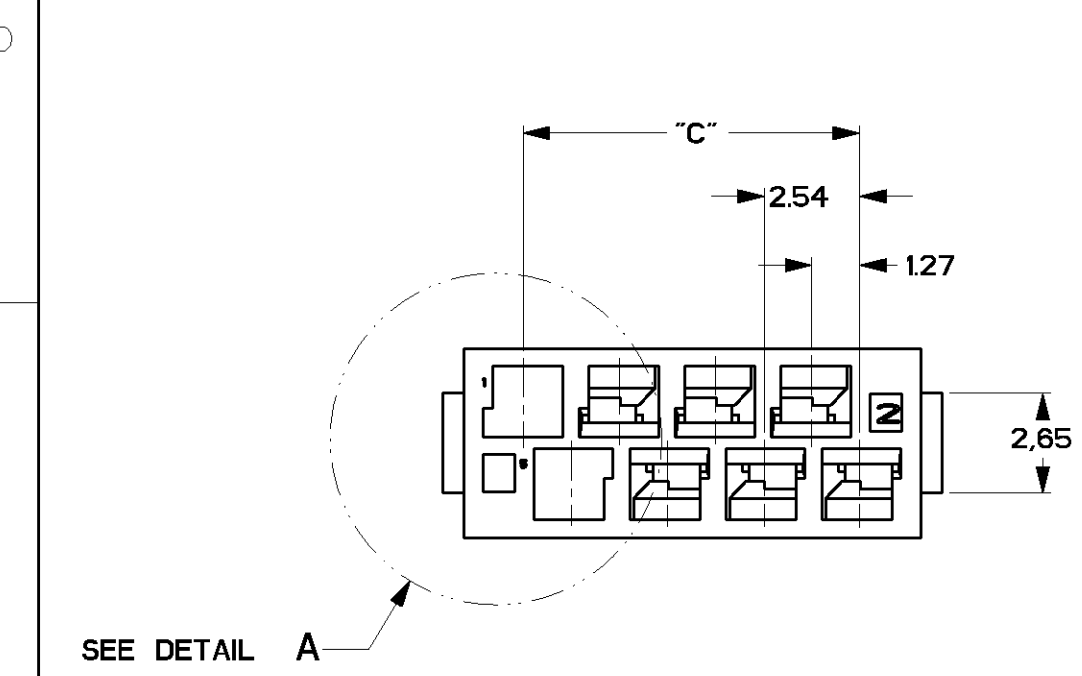
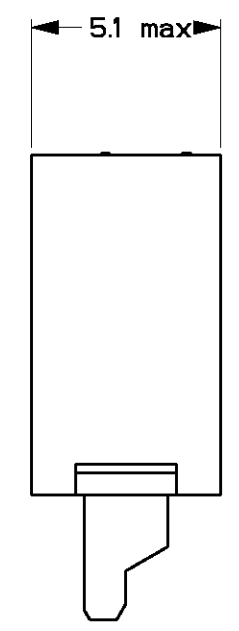
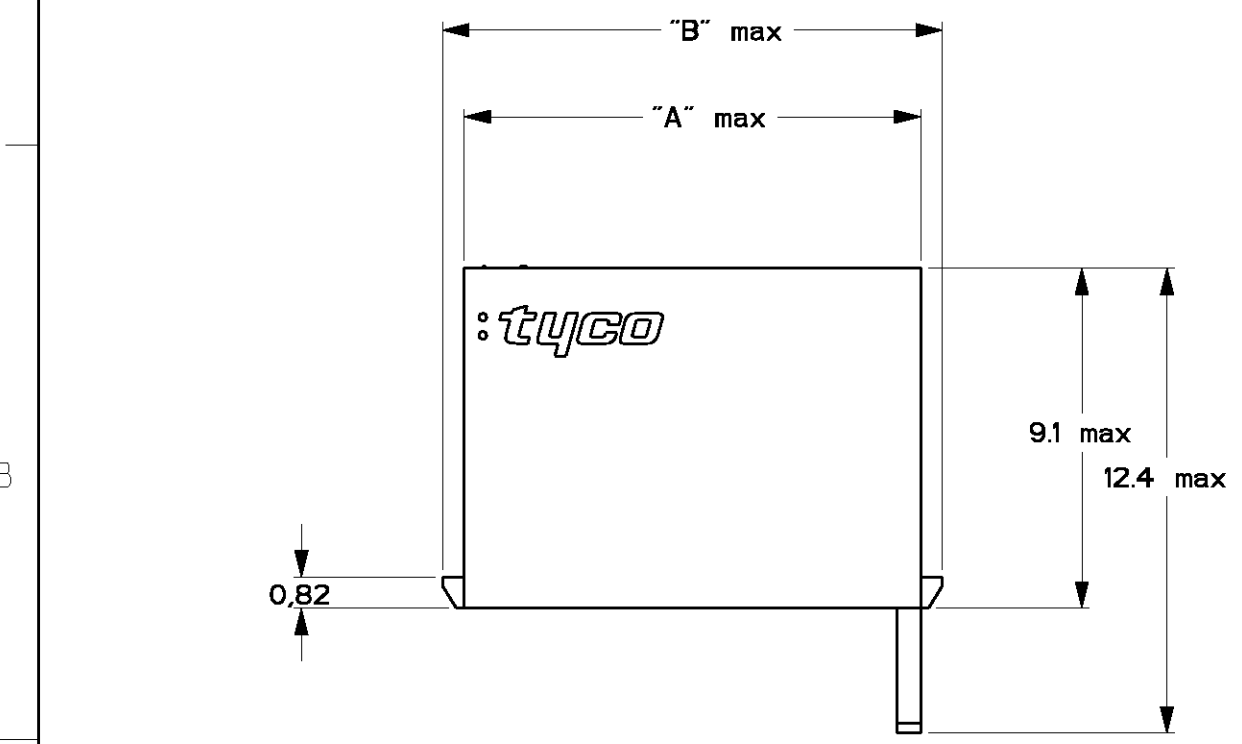
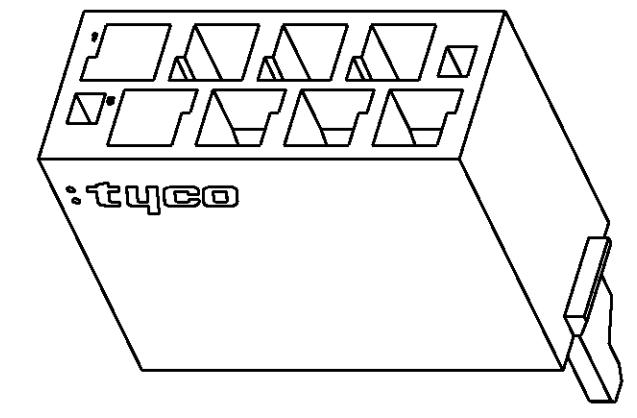


THIS DRAWING IS UNPUBLISHED. RELEASED FOR PUBLICATION
 © COPYRIGHT 1997 BY TYCO ELECTRONICS CORPORATION. ALL RIGHTS RESERVED.

| LOC | DIST | REVISIONS | | | | | |
|-----|------|-----------|-----|-----------------------|-----------|------|------|
| H | - | P | LTR | DESCRIPTION | DATE | DWN | APVD |
| | | O | | NEW DRAWING ECN998/96 | 22/11/96 | HvD | EL |
| | | A | | ECN 260/98 | 02/07/98 | MG | EL |
| | | B | | EH01-0232-04 | 16FEB04 | JvdH | EL |
| | | BI | | ECR-07-023045 | 01OCT2007 | DC | TdB |



DETAIL A
SCALE 10:1



| NUMBER OF POSITIONS | PARTNUMBER | DIM "A" max | DIM "B" max | DIM C | PCS PER BOX |
|---------------------|------------|-------------|-------------|-------|-------------|
| 4 | 0-338095-4 | 7.2 | 8.4 | 3.81 | 900 |
| 6 | 0-338095-6 | 9.8 | 10.9 | 6.35 | 700 |
| 8 | 0-338095-8 | 12.3 | 13.5 | 8.89 | 500 |
| 10 | 1-338095-0 | 14.9 | 16.0 | 11.43 | 450 |
| 12 | 1-338095-2 | 17.4 | 18.5 | 13.97 | 400 |
| 14 | 1-338095-4 | 19.9 | 21.1 | 16.51 | 350 |
| 16 | 1-338095-6 | 22.5 | 23.6 | 19.05 | 300 |
| 18 | 1-338095-8 | 25.0 | 26.2 | 21.59 | 250 |
| 20 | 2-338095-0 | 27.6 | 28.7 | 24.13 | 200 |

- NOTES:
- 1 8 POSITIONS AS SHOWN.
 - 2 CAVITY NUMBERING.
 - 3 FOR APPLICABLE CRIMP-ON SNAP-IN CONTACTS SEE C-338096 AND C-338097.

| | | | |
|---|---|--|---|
| <small>THIS DRAWING IS A CONTROLLED DOCUMENT FOR TYCO ELECTRONICS CORPORATION IT IS SUBJECT TO CHANGE AND THE CONTROLLING ENGINEERING ORGANIZATION SHOULD BE CONTACTED FOR THE LATEST REVISION.</small> | | DWN H.v.DELFT 20NOV96 CHK H.v.DELFT 20NOV96 APVD - PRODUCT SPEC 108-19052 APPLICATION SPEC 114-19051 WEIGHT - | Tyco Electronics Tyco Electronics Corporate 's-Hertogenbosch, Nederland Micro-MaTch COSI-HOUSING |
| DIMENSIONS: mm | TOLERANCES UNLESS OTHERWISE SPECIFIED: 0 PLC ±0.2 1 PLC ±0.1 2 PLC ±0.05 3 PLC ±0.01 4 PLC ± ANGLES ± | SIZE A3 CAGE CODE 00779 DRAWING NO C-338095 RESTRICTED TO - | SCALE 5:1 SHEET 1 OF 1 REV B1 |
| MATERIAL GLASFILLED POLYESTER | FINISH - | CUSTOMER DRAWING | |